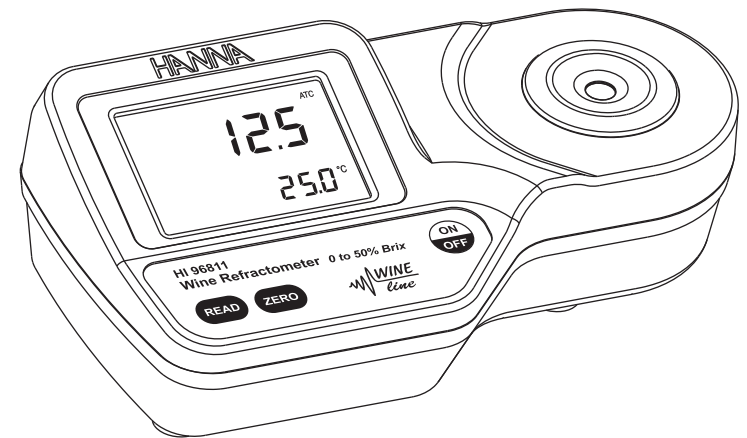


HI 96811

Refractometer for Wine and Grape Product Measurements



Dear Customer,

Thank you for choosing a Hanna product. This manual will provide you with the necessary information for the correct use of the instrument. Please read it carefully before using the meter. If you need additional technical information, do not hesitate to e-mail us at tech@hannainst.com.

This instrument is in compliance with **CE** directives.

TABLE OF CONTENTS

| | |
|---------------------------------------|----|
| PRELIMINARY EXAMINATION | 2 |
| GENERAL DESCRIPTION | 3 |
| SPECIFICATIONS | 3 |
| PRINCIPLE OF OPERATION | 4 |
| FUNCTIONAL DESCRIPTION | 5 |
| DISPLAY ELEMENTS | 6 |
| WARNINGS | 6 |
| ERROR MESSAGES | 7 |
| CALIBRATION PROCEDURE | 8 |
| MEASUREMENT PROCEDURE | 9 |
| MAKING A STANDARD BRIX SOLUTION | 10 |
| TO CHANGE TEMPERATURE UNITS | 10 |
| BATTERY REPLACEMENT | 11 |
| WARRANTY | 11 |

PRELIMINARY EXAMINATION

Remove the instrument from the packing materials and examine carefully to ensure no damage has occurred during shipping. If any damage has occurred, notify your Dealer or closest Hanna Customer Service Center.

Each HI 96811 instrument is supplied with:

- 9 V battery
- Instruction manual

Note: Save all packing material until you are sure that the instrument functions correctly. A defective instrument must be returned in its original packing.

MODEL IDENTIFICATION

HI 96811

All rights are reserved. Reproduction in whole or in part is prohibited without the written consent of the copyright owner, Hanna Instruments Inc., Woonsocket, Rhode Island, 02895, USA.

GENERAL DESCRIPTION

The **HI 96811** Digital Wine Refractometer is a rugged portable, water resistant device that benefits from Hanna's years of experience as a manufacturer of analytical instruments.

The **HI 96811** is an optical instrument that employs the measurement of refractive index to display the sugar content in grape samples from field samples or composite must samples at the winery. The measurement of refractive index is simple and quick and provides the vintner a standard accepted method for sugar content analysis. Samples are measured after a simple user calibration with deionized or distilled water. Within seconds the instrument measures the refractive index of the grape sample and converts it to % Brix concentration units. The **HI 96811** digital refractometer eliminates the uncertainty associated with mechanical refractometers and is easily portable for measurements in the field.

The measurement technique and temperature compensation employ methodology recommended in the ICUMSA Methods Book (Internationally recognized body for Sugar Analysis).

Temperature (in °C or °F) is displayed simultaneously with the measurement on the large dual level display along with icons for Low Power other helpful message codes.

Key features include:

- Dual-level LCD
- Automatic Temperature Compensation (ATC)
- Easy setup and storage
- Battery operation with Low Power indicator (BEPS)
- Automatically turns off after 3 minutes of non-use.

SPECIFICATIONS

| | |
|---------------------------|--|
| Range: | 0 to 50 % Brix / 0 to 80°C (32 to 176°F) |
| Resolution: | ± 0.1 % Brix / ± 0.1°C (± 0.1°F) |
| Accuracy: | ± 0.2 % Brix / ± 0.3°C (± 0.5°F) |
| Temperature Compensation: | Automatic between 10 and 40°C (50 - 104°F) |
| Measurement Time: | Approximately 1.5 seconds |
| Minimum Sample Volume: | 100µL (cover prism totally) |
| Light Source: | Yellow LED |
| Sample Cell: | SS ring and flint glass prism |
| Case Material: | ABS |
| Enclosure Rating: | IP 65 |
| Battery Type / Life: | 1 X 9V / 5000 readings |
| Auto-Off: | After 3 minutes of non-use |
| Dimensions: | 19.2(W) x 10.2(D) x 6.7 (H)cm |
| Mass: | 420g |

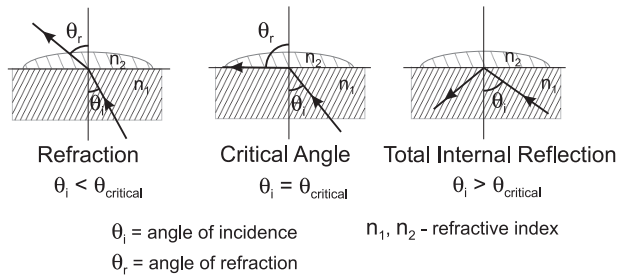
PRINCIPLE OF OPERATION

The Brix determination is made by measuring the refractive index of a solution. Refractive Index is an optical characteristic of a substance and the number of dissolved particles in it. Refractive Index is defined as the ratio of the speed of light in empty space to the speed of light in the substance. A result of this property is that light will "bend", or change direction, when it travels through a substance of different refractive index. This is called refraction.

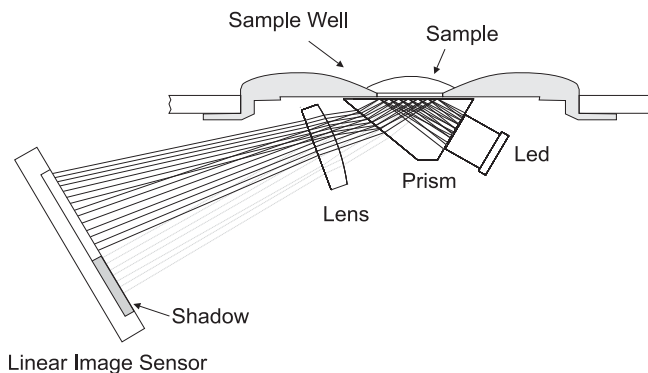
When passing from a material with a higher to lower refractive index, there is a critical angle at which an incoming beam of light can no longer refract, but will instead be reflected off the interface. The critical angle can be used to easily calculate the refractive index according to the equation:

$$\sin(\theta_{\text{critical}}) = n_2 / n_1$$

Where n_2 is the refractive index of the lower-density medium; n_1 is the refractive index of the higher-density medium.

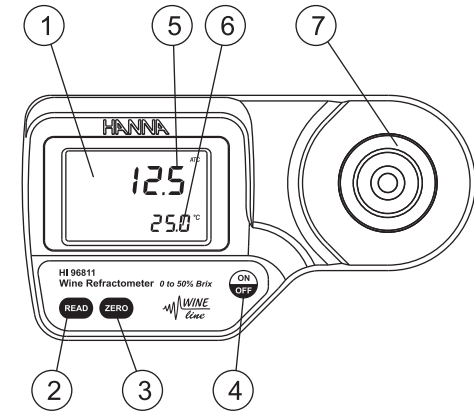


In the HI 96811, light from an LED passes through a prism in contact with the sample. An image sensor determines the critical angle at which the light is no longer refracted through the sample. The HI 96811 automatically applies temperature compensation to the measurement and converts the refractive index of the sample to sucrose concentration in units of percent (by weight) Brix.



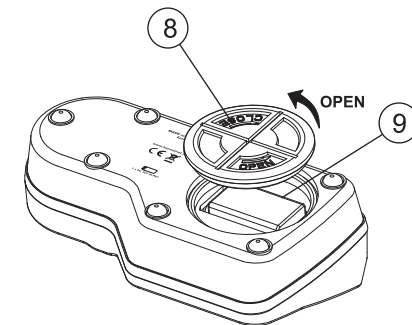
FUNCTIONAL DESCRIPTION

TOP VIEW



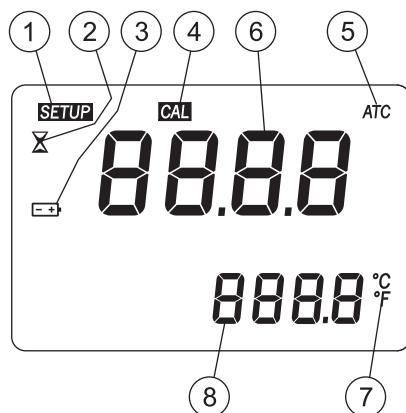
1. Liquid Crystal Display (LCD)
2. Read Key (User Measurement)
3. Zero Key (User Calibration)
4. On/Off
5. Primary Display
6. Secondary Display
7. Stainless Steel Sample Well and Prism

BOTTOM



8. Battery Cover
9. Battery Compartment

DISPLAY ELEMENTS



1. SETUP: Factory Calibration Tag
2. Measurement in Progress Tag
3. Battery (blinks when low battery condition detected)
4. Calibration Tag
5. Automatic Temperature Compensation (blinks when temperature exceeds 10-40°C / 50-104°F range)
6. Primary Display (displays measurement and error messages)
7. Temperature Units
8. Secondary Display (displays temperature measurements; when blinking, temperature has exceeded operation range: 0-80°C / 32-176°F)

MEASUREMENT GUIDELINES

- Handle instrument carefully. Do not drop.
- Do not immerse instrument under water.
- Do not spray water to any part of instrument except the “sample well” located over the prism.
- The instrument is intended to measure grape/wine solutions. Do not expose instrument or prism to solvents that will damage it. This includes most organic solvents and extremely hot or cold solutions.
- Particulate matter in a sample may scratch the prism. Absorb sample on soft tissue and rinse sample well with deionized or distilled water between samples.
- Use plastic pipettes to transfer all solutions. Do not use metallic tools such as needles, spoons or tweezers as these will scratch the prism.

ERROR MESSAGES

| Error Code | | Description |
|---|--|---|
| Err | | General failure. Cycle power to instrument. If instrument still has error, contact Hanna. |
| LO Top display | | Sample is reading lower than the 0 % BRIX standard used for meter calibration. |
| HI Top display | | Sample exceeds maximum measurement range. |
| LO Top display Cal segment ON | | Wrong calibration used to zero instrument. Use deionized or distilled water. Press Zero. |
| HI Top display Cal segment ON | | Wrong calibration used to zero instrument. Use deionized or distilled water. Press Zero. |
| † LO Top display Cal segment ON | | Temperature exceeds ATC low limit (10 °C) during calibration. |
| † HI Top display Cal segment ON | | Temperature exceeds ATC high limit (40 °C) during calibration. |
| Air | | Prism surface insufficiently covered. |
| Elt | | Too much external light for measurement. Cover sample well with hand. |
| nLt | | LED light is not detected. Contact Hanna. |
| Battery segment blinking | | <5% of battery life is remaining. |
| Temperature values are blinking 0.0° or 80.0°C | | Temperature measurement out of sampling range (0.0 to 80.0°C). |
| ATC segment blinking | | Outside temperature compensation range (10 to 40°C). |
| SETUP segment blinking | | Factory calibration lost. Contact Hanna. |

CALIBRATION

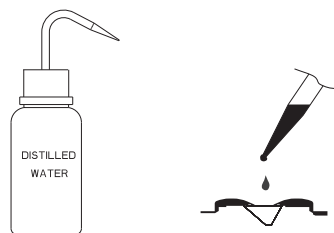
Calibration should be performed daily, before measurements are made, when the battery has been replaced, or between a long series of measurements.

1. Press the **ON/OFF** key, then release. Two instrument test screens will be displayed briefly; a LCD segment followed by the percentage of remaining battery life. When LCD displays dashes, the instrument is ready.



2. Using plastic pipettes, fill the sample well with distilled or deionized water.

Note: If the ZERO sample is subject to intense light such as sunlight or another strong source, cover the sample well with your hand or other shade during the calibration.



3. Press the **ZERO** key. If no error messages appear, your unit is calibrated.

(For a description of ERROR MESSAGES see page 7).

Note: The 0.0 screen will remain until a sample is measured or the power is turned off.



4. Gently absorb the ZERO water standard with a soft tissue. Use care not to scratch the prism surface. Wipe off the surface completely. The instrument is ready for sample measurement.

Note: If instrument is turned off the calibration will not be lost.



MEASUREMENT

Verify the instrument has been calibrated before taking measurements.

1. Wipe off prism surface located at the bottom of the sample well.



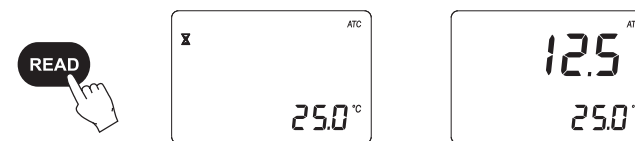
2. Using plastic pipettes, drip sample onto the prism surface. Fill the well completely.

Note: If the temperature of the sample differs significantly from the temperature of the instrument, wait approximately 1 minute to allow thermal equilibration.



3. Press the **READ** key. Measurement is displayed in units of % BRIX.

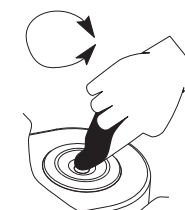
Note: The last measurement value will be displayed until the next sample is measured or the instrument is turned off. Temperature will be continuously updated.



Note: The ATC tag blinks and automatic temperature compensation is disabled if the temperature exceeds the 10-40°C / 50-104°F range.

4. Remove sample from the sample well by absorbing on a soft tissue.

5. Using plastic pipettes, rinse prism and sample well with distilled or deionized water. Wipe dry. The instrument is ready for the next sample.



MAKING A STANDARD % BRIX SOLUTION

To make a Brix Solution, follow the procedure below:

- Place container (such as a glass vial or dropper bottle that has a cover) on an analytical balance.
- Tare the balance.
- To make an X BRIX solution weigh out X grams of high purity Sucrose (CAS #: 57-50-1) directly into the container.
- Add distilled or deionized water to the container so the total weight of the solution is 100g.
- **Note:** Solutions above 60 % Brix need to be vigorously stirred or shaken and heated in a water bath. Remove solution from bath when sucrose has dissolved. The total quantity can be scaled proportionally for smaller containers but accuracy may be sacrificed.

Example with 25% Brix:

| <u>%Brix</u> | <u>g Sucrose</u> | <u>g Water</u> | <u>g Total</u> |
|--------------|------------------|----------------|----------------|
| 25 | 25.000 | 75.000 | 100.000 |

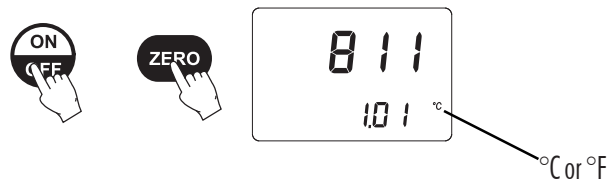
TO CHANGE TEMPERATURE UNITS

To change the temperature measurement unit from Celsius to Fahrenheit (or vice versa), follow this procedure.

1. Press and hold the **ON/OFF** key continuously for approximately 15 seconds. The LCD will display the "all segment" screen followed by a screen with the model number on the primary display and the version number on the secondary display. Continue pressing the **ON/OFF** key.



2. While continuing to hold the **ON/OFF** key, press the **ZERO** key. The temperature unit will change from °C to °F or vice versa.



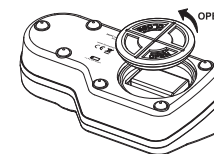
BATTERY REPLACEMENT

To replace the instrument's battery, follow these steps:

- Turn the instrument OFF by pressing the **ON/OFF** key.



- Turn instrument upside down and remove the battery cover by turning it counterclockwise.



- Extract the battery from its location.
- Replace with fresh 9V battery making certain to observe polarity.
- Insert the back battery cover and fasten it by turning clockwise to engage.

WARRANTY

HI 96811 is warranted for two years against defects in workmanship and materials when used for its intended purpose and maintained according to the instructions.

This warranty is limited to repair or replacement free of charge.

Damage due to accident, misuse, tampering or lack of prescribed maintenance is not covered.

If service is required, contact your dealer. If under warranty, report the model number, date of purchase, serial number and the nature of the failure. If the repair is not covered by the warranty, you will be notified of the charges incurred.

If the instrument is to be returned to Hanna Instruments, first obtain a Returned Goods Authorization Number from the Customer Service Department and then send it with shipment costs prepaid. When shipping any instrument, make sure it is properly packaged for complete protection.

To validate your warranty, fill out and return the enclosed warranty card within 14 days from the date of purchase.

SALES AND TECHNICAL SERVICE CONTACTS

Australia:

Tel. (03) 9769.0666 • Fax (03) 9769.0699

China:

Tel. (10) 88570068 • Fax (10) 88570060

Egypt:

Tel. & Fax (02) 2758.683

Germany:

Tel. (07851) 9129-0 • Fax (07851) 9129-99

Greece:

Tel. (210) 823.5192 • Fax (210) 884.0210

Indonesia:

Tel. (210) 4584.2941 • Fax (210) 4584.2942

Japan:

Tel. (03) 3258.9565 • Fax (03) 3258.9567

Korea:

Tel. (02) 2278.5147 • Fax (02) 2264.1729

Malaysia:

Tel. (603) 5638.9940 • Fax (603) 5638.9829

Singapore:

Tel. 6296.7118 • Fax 6291.6906

South Africa:

Tel. (011) 615.6076 • Fax (011) 615.8582

Taiwan:

Tel. 886.2.2739.3014 • Fax 886.2.2739.2983

Thailand:

Tel. 66.2619.0708 • Fax 66.2619.0061

United Kingdom:

Tel. (01525) 850.855 • Fax (01525) 853.668

USA:

Tel. (401) 765.7500 • Fax (401) 765.7575

MAN96811
08/08

For e-mail contacts and a complete list of Sales and Technical offices, please see
www.hannainst.com.